

### LIST OF MATERIALS

DESC.	SIZE	GRADE	REQ'D	DESC.	SIZE	GRADE	REQ'D
PLATE	3/8 x 6 x 6"	A36	1	.	.	.	.
HCA	3/8" $\varnothing$ x 6"	A108	4	.	.	.	.
.	.	.	.	.	.	.	.
.	.	.	.	.	.	.	.

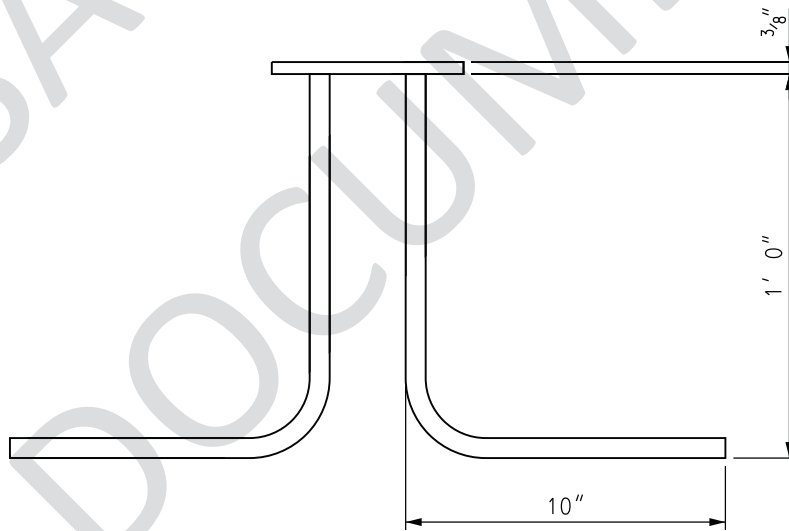
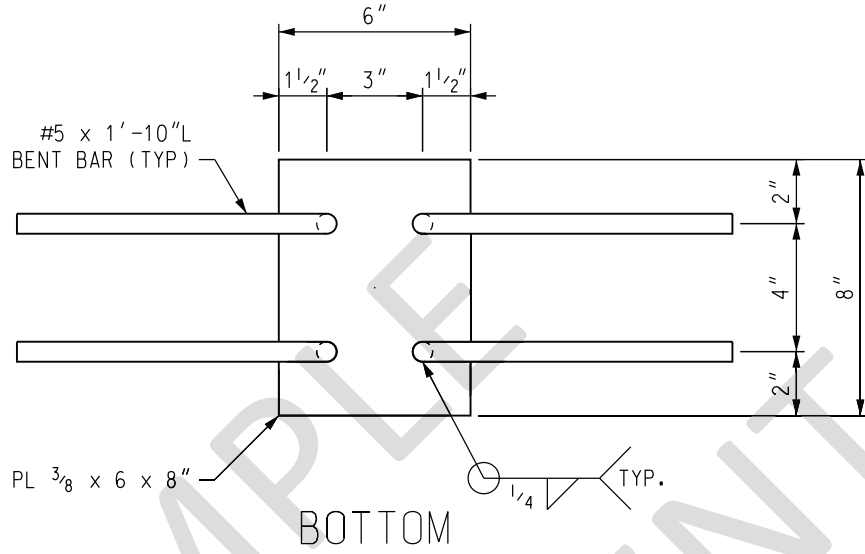
TPL NO.: 1611001

PROJECT  
**WINSTON SCHOOL DISTRICT**  
**NEW ELEMENTARY SCHOOL / HIGH SCHOOL ADDITION**

DATE: 2.08.17  
 REF. PROJECT NO.  
 1507.01-001A

ENG.	JR
DET.	JS
CKR.	AV

ITEM MARK  
**FG-01**



## LIST OF MATERIALS

DESC.	SIZE	GRADE	REQ'D	DESC.	SIZE	GRADE	REQ'D
PLATE	3/8 x 6 x 8"	A36	1	.	.	.	.
REBAR	#5 x 1'-10"	A706	4	.	.	.	.
.	.	.	.	.	.	.	.
.	.	.	.	.	.	.	.

TPL NO.: 1611001

PROJECT  
WINSTON SCHOOL DISTRICT  
NEW ELEMENTARY SCHOOL / HIGH SCHOOL ADDITION

DATE: 2.08.17

ENG. JR

REF. PROJECT NO.

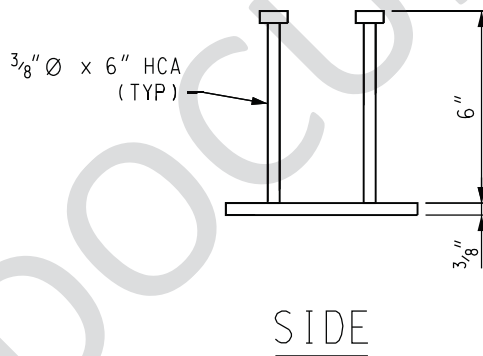
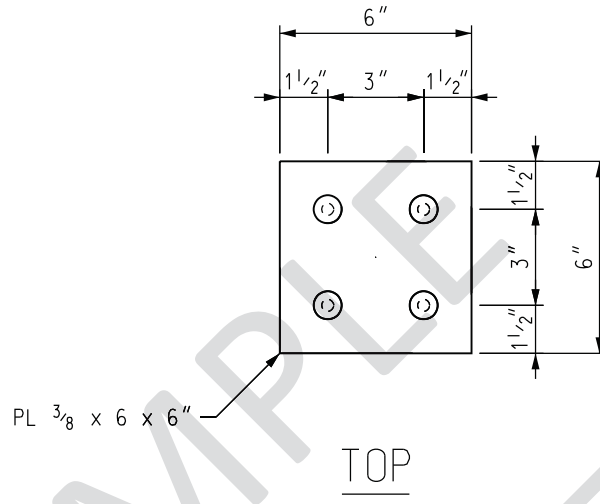
DET. JS

1507.01-001A

CKR. AV

ITEM MARK

**FG-02**



## LIST OF MATERIALS

DESC.	SIZE	GRADE	REQ'D	DESC.	SIZE	GRADE	REQ'D
PLATE	3/8 x 6 x 6"	A36	1	.	.	.	.
HCA	3/8" $\varnothing$ x 6"	A108	4	.	.	.	.
.	.	.	.	.	.	.	.
.	.	.	.	.	.	.	.

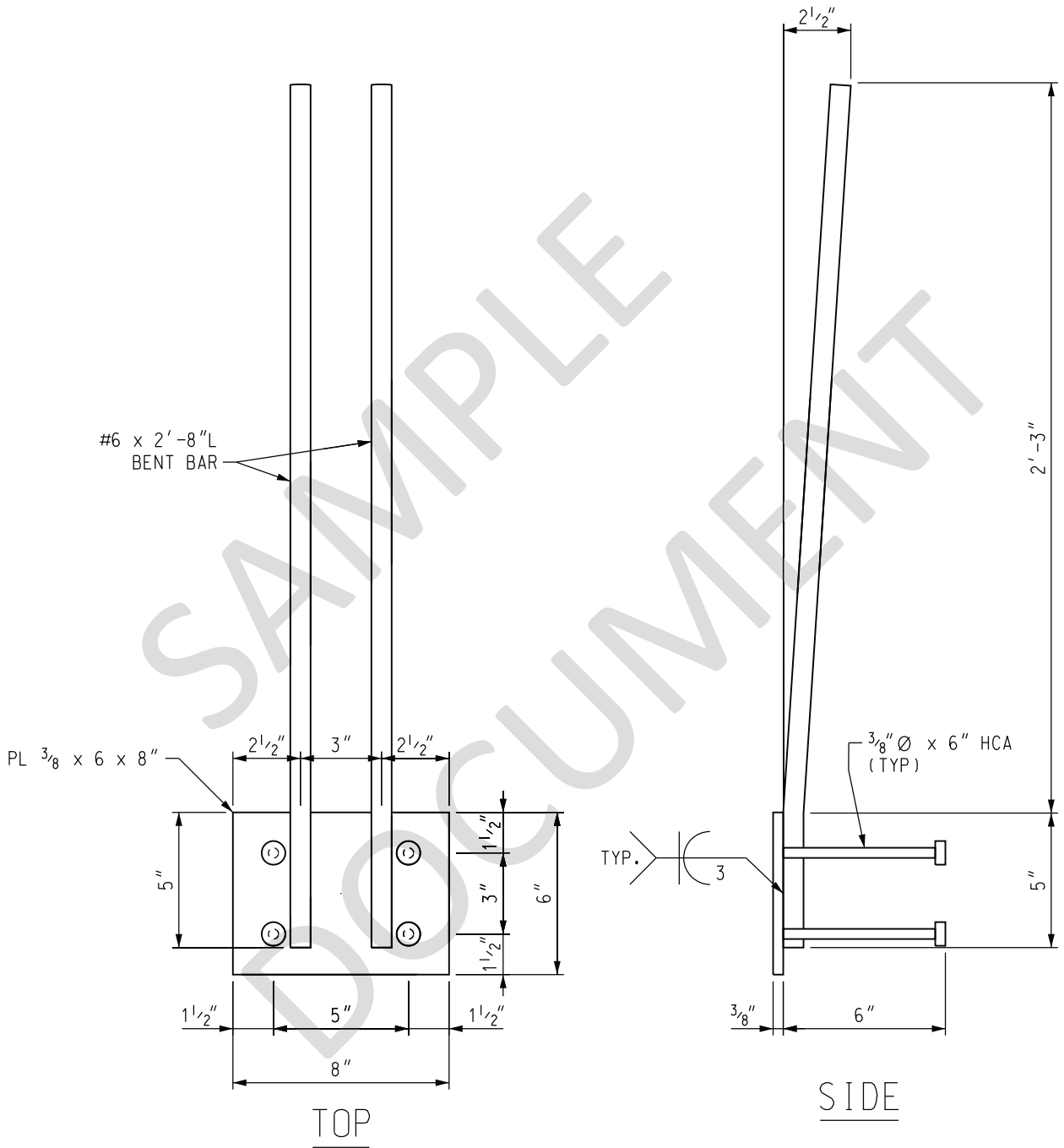
TPL NO.: 1611001

PROJECT  
**WINSTON SCHOOL DISTRICT**  
**NEW ELEMENTARY SCHOOL / HIGH SCHOOL ADDITION**

DATE: 2.08.17  
 REF. PROJECT NO.  
 1507.01-001A

ENG.	JR
DET.	JS
CKR.	AV

ITEM MARK  
**PG-01**



## LIST OF MATERIALS

DESC.	SIZE	GRADE	REQ'D	DESC.	SIZE	GRADE	REQ'D
PLATE	3/8 x 6 x 8"	A36	1	.	.	.	.
HCA	3/8" $\varnothing$ x 6"	A108	4	.	.	.	.
REBAR	#6 x 2'-8"	A706	2	.	.	.	.
.	.	.	.	.	.	.	.

TPL NO.: 1611001

PROJECT  
**WINSTON SCHOOL DISTRICT**  
**NEW ELEMENTARY SCHOOL / HIGH SCHOOL ADDITION**

DATE: 2.08.17

ENG. JR

REF. PROJECT NO.

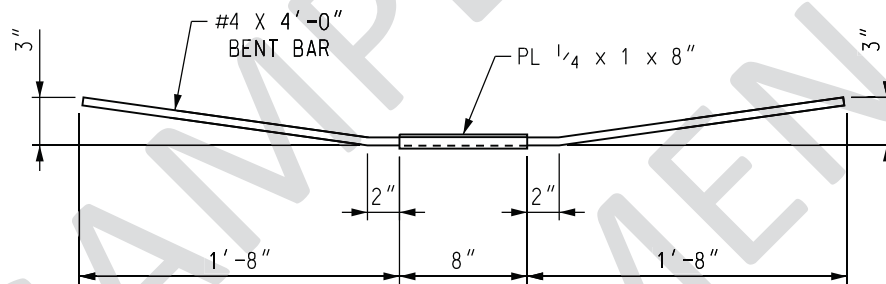
DET. JS

1507.01-001A

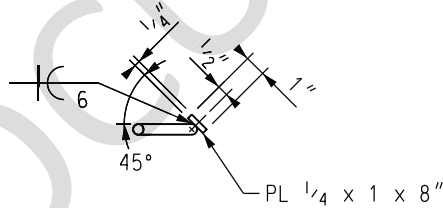
CKR. AV

ITEM MARK

**PG-02**



TOP



END

## LIST OF MATERIALS

DESC.	SIZE	GRADE	REQ'D	DESC.	SIZE	GRADE	REQ'D
PLATE	1/4 x 1 x 8"	A36	1	.	.	.	.
REBAR	#4 x 4'-0"	A706	1	.	.	.	.
.	.	.	.	.	.	.	.
.	.	.	.	.	.	.	.

PROJECT  
**WINSTON SCHOOL DISTRICT**  
**NEW ELEMENTARY SCHOOL / HIGH SCHOOL ADDITION**

DATE: 2.08.17

ENG. JR

REF. PROJECT NO.

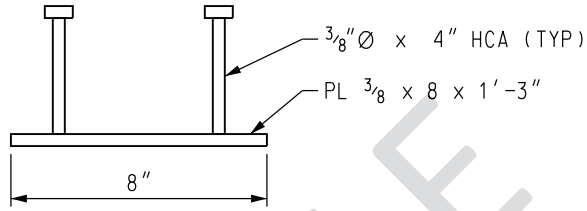
DET. JS

1507.01-001A

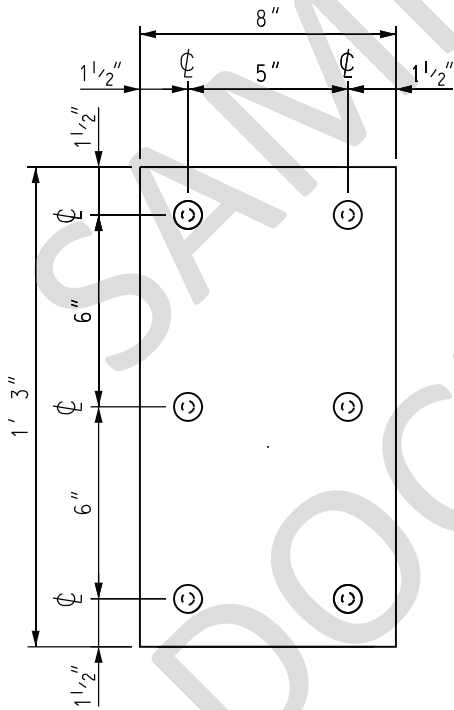
CKR. AV

ITEM MARK

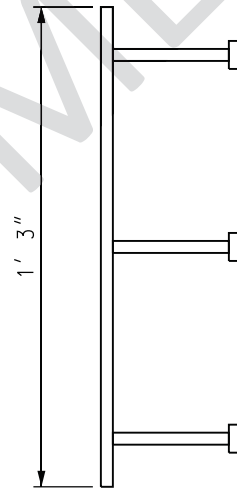
**PG-03**



END



TOP



SIDE

## LIST OF MATERIALS

DESC.	SIZE	GRADE	REQ'D	DESC.	SIZE	GRADE	REQ'D
PLATE	3/8 x 8 x 1'-3"	A36	1	.	.	.	.
HCA	3/8"Ø x 4"	A108	6	.	.	.	.
.	.	.	.	.	.	.	.
.	.	.	.	.	.	.	.

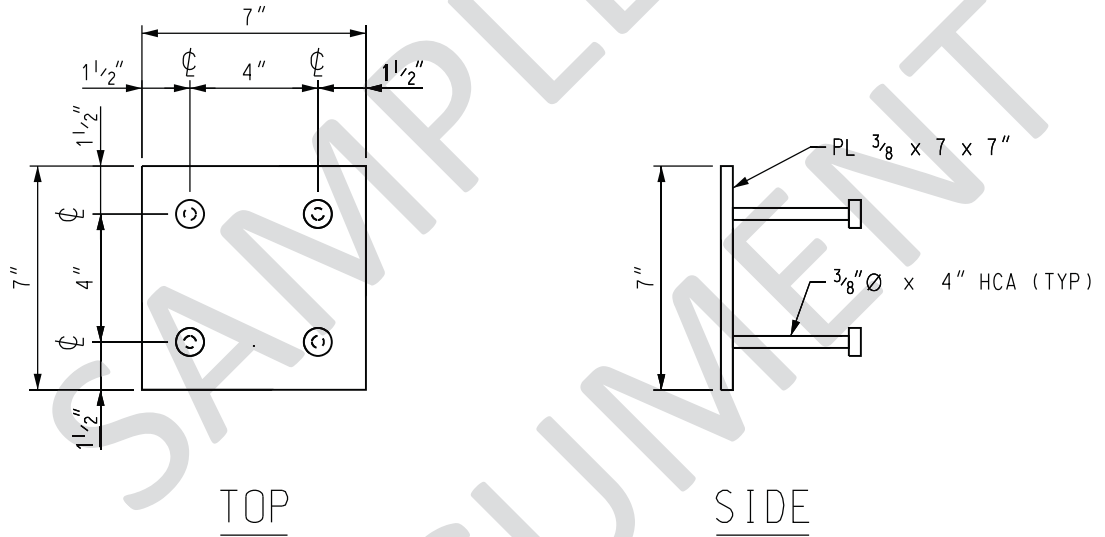
TPL NO.: 1611001

PROJECT  
**WINSTON SCHOOL DISTRICT**  
**NEW ELEMENTARY SCHOOL / HIGH SCHOOL ADDITION**

DATE: 2.08.17  
 REF. PROJECT NO.  
 1507.01-001A

ENG.	JR
DET.	JS
CKR.	AV

ITEM MARK  
**PG-04**



## LIST OF MATERIALS

DESC.	SIZE	GRADE	REQ'D	DESC.	SIZE	GRADE	REQ'D
PLATE	3/8 x 7 x 7"	A36	1	.	.	.	.
HCA	3/8"Ø x 4"	A108	4	.	.	.	.
.	.	.	.	.	.	.	.
.	.	.	.	.	.	.	.

TPL NO.: 1611001

PROJECT  
**WINSTON SCHOOL DISTRICT**  
**NEW ELEMENTARY SCHOOL / HIGH SCHOOL ADDITION**

DATE: 2.08.17

ENG. JR

REF. PROJECT NO.

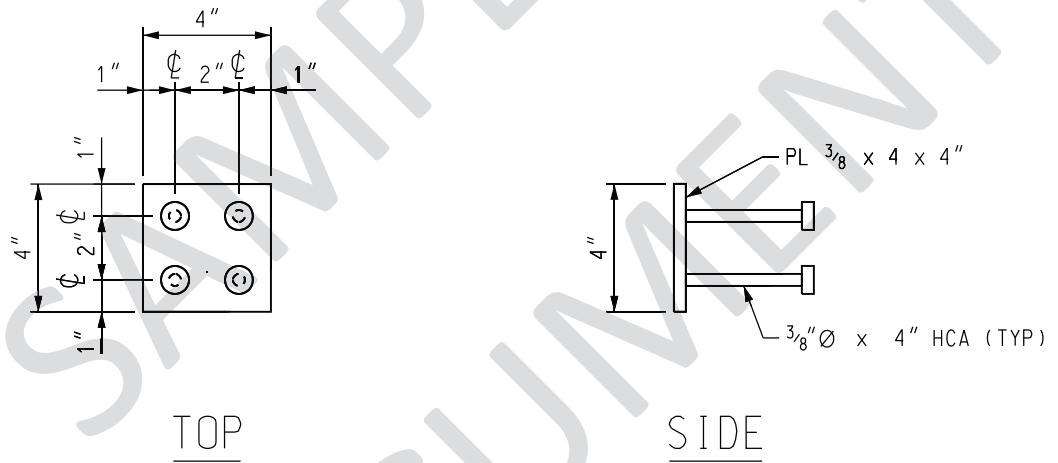
DET. JS

1507.01-001A

CKR. AV

ITEM MARK

**PG-05**



## LIST OF MATERIALS

DESC.	SIZE	GRADE	REQ'D	DESC.	SIZE	GRADE	REQ'D
PLATE	3/8 x 4 x 4"	A36	1	.	.	.	.
HCA	3/8"Ø x 4"	A108	4	.	.	.	.
.	.	.	.	.	.	.	.
.	.	.	.	.	.	.	.

TPL NO.: 1611001

PROJECT  
**WINSTON SCHOOL DISTRICT**  
**NEW ELEMENTARY SCHOOL / HIGH SCHOOL ADDITION**

DATE: 2.08.17

ENG. JR

REF. PROJECT NO.

DET. JS

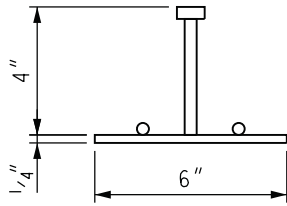
1507.01-001A

CKR. AV

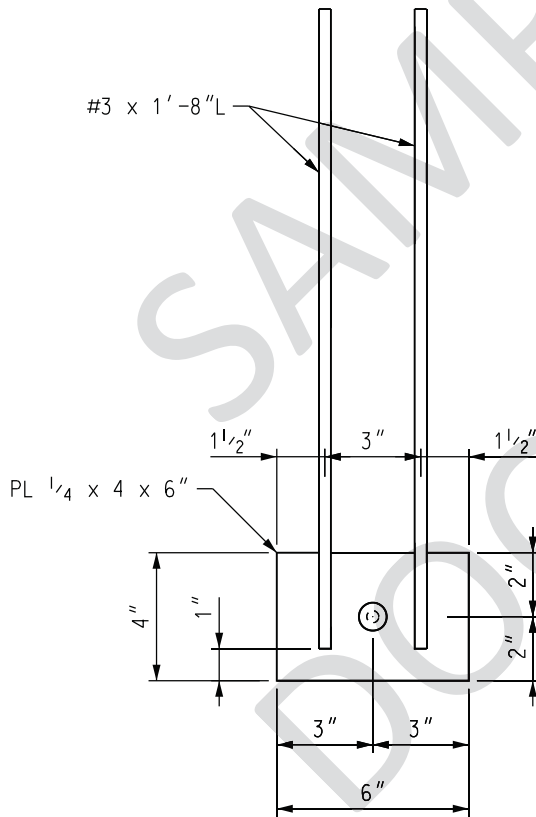
ITEM MARK

**PG-06**

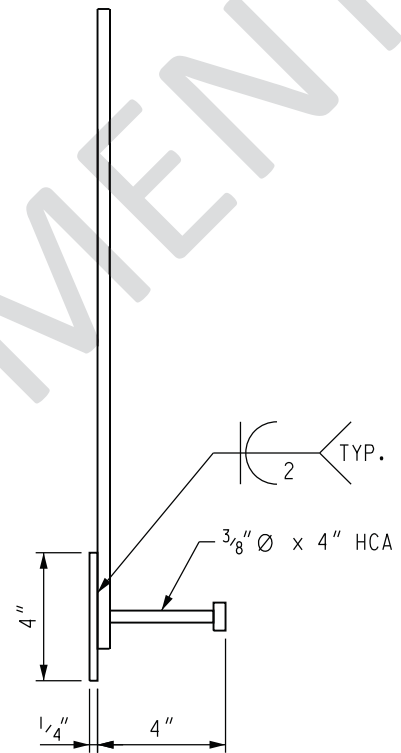




END



TOP



SIDE

## LIST OF MATERIALS

DESC.	SIZE	GRADE	REQ'D	DESC.	SIZE	GRADE	REQ'D
PLATE	1/4 x 4 x 6"	A36	1	.	.	.	.
HCA	3/8" $\varnothing$ x 4"	A108	1	.	.	.	.
REBAR	#3 x 1'-8"	A706	2	.	.	.	.
.	.	.	.	.	.	.	.

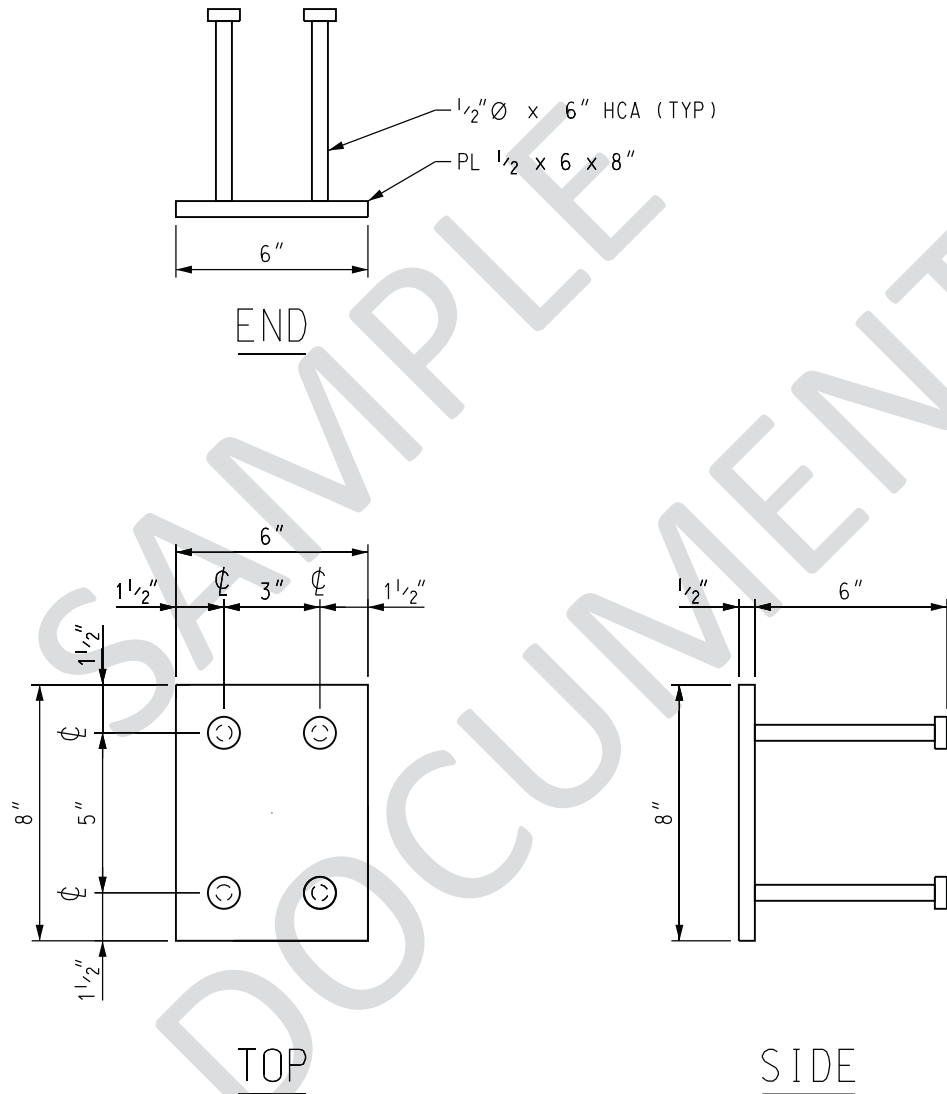
TPL NO.: 1611001

PROJECT  
**WINSTON SCHOOL DISTRICT**  
**NEW ELEMENTARY SCHOOL / HIGH SCHOOL ADDITION**

DATE: 2.08.17  
 REF. PROJECT NO.  
 1507.01-001A

ENG.	JR
DET.	JS
CKR.	AV

ITEM MARK  
**PG-07**



## LIST OF MATERIALS

DESC.	SIZE	GRADE	REQ'D	DESC.	SIZE	GRADE	REQ'D
PLATE	1/2 x 6 x 8"	A36	1	.	.	.	.
HCA	1/2"Ø x 6"	A108	4	.	.	.	.
.	.	.	.	.	.	.	.
.	.	.	.	.	.	.	.

TPL NO.: 1611001

PROJECT  
**WINSTON SCHOOL DISTRICT**  
**NEW ELEMENTARY SCHOOL / HIGH SCHOOL ADDITION**

DATE: 2.08.17

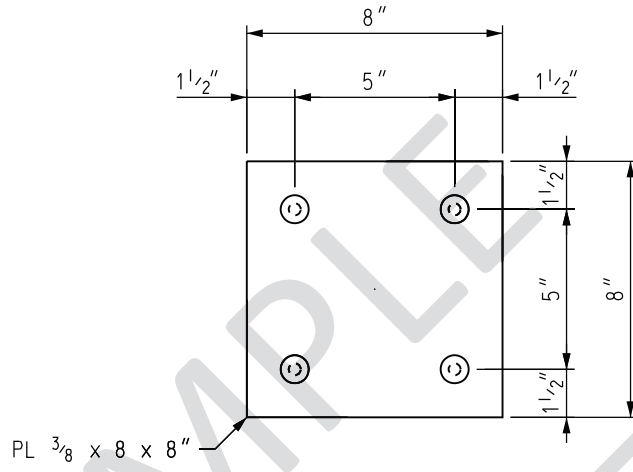
ENG. JR

REF. PROJECT NO.  
 1507.01-001A

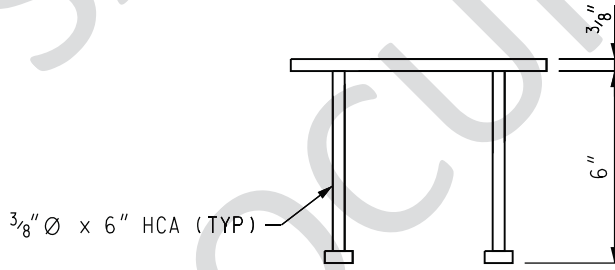
DET. JS  
 CKR. AV

ITEM MARK

**PG-08**



TOP



SIDE

## LIST OF MATERIALS

DESC.	SIZE	GRADE	REQ'D	DESC.	SIZE	GRADE	REQ'D
PLATE	3/8 x 8 x 8"	A36	1	.	.	.	.
HCA	3/8"Ø x 6"	A108	4	.	.	.	.
.	.	.	.	.	.	.	.
.	.	.	.	.	.	.	.

TPL NO.: 1611001

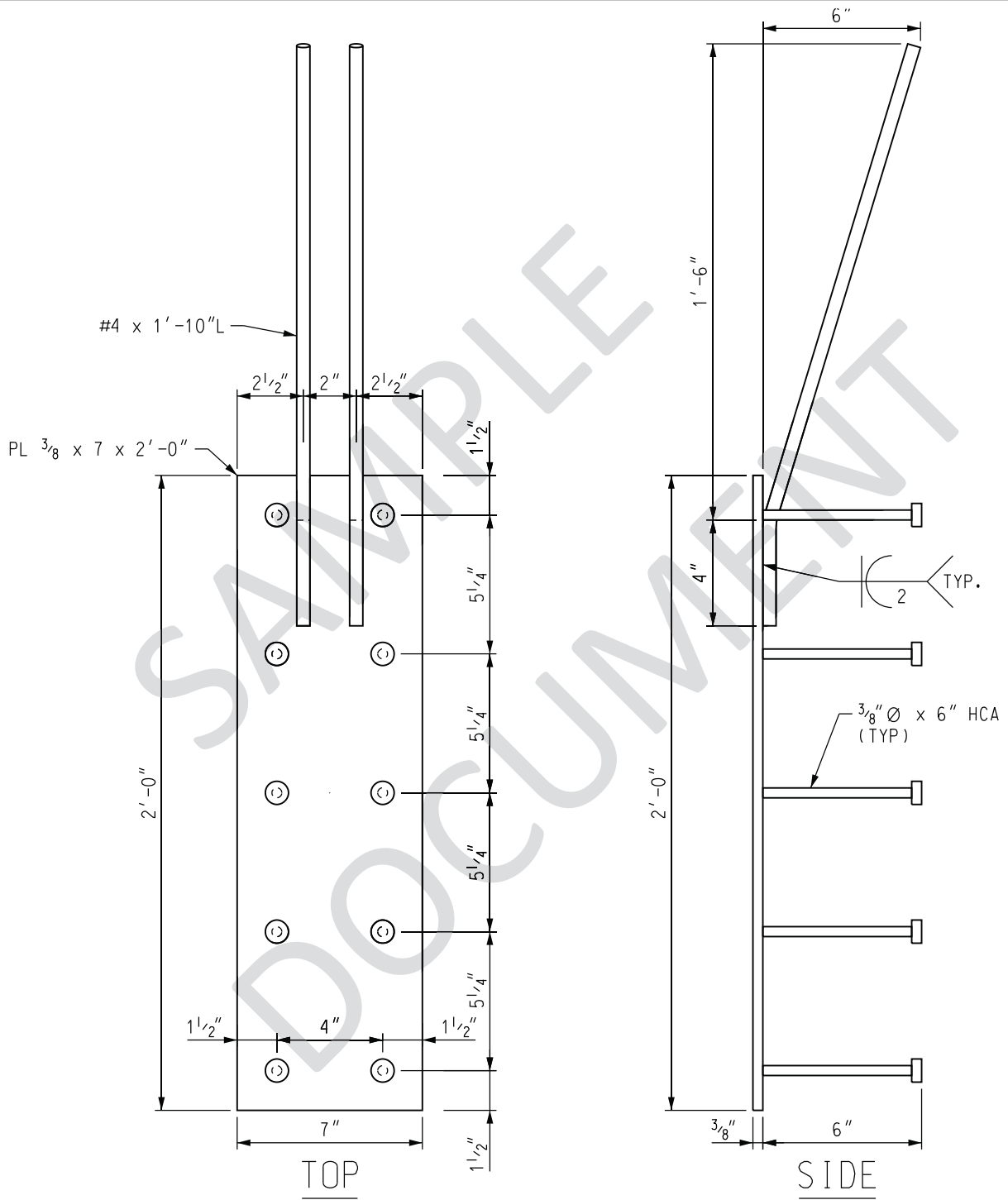
PROJECT  
**WINSTON SCHOOL DISTRICT**  
**NEW ELEMENTARY SCHOOL / HIGH SCHOOL ADDITION**

DATE: 2.08.17  
 REF. PROJECT NO.  
 1507.01-001A

ENG.	JR
DET.	JS
CKR.	AV

ITEM MARK

# PG-11



## LIST OF MATERIALS

DESC.	SIZE	GRADE	REQ'D	DESC.	SIZE	GRADE	REQ'D
PLATE	3/8 x 7 x 2'-0"	A36	1	.	.	.	.
HCA	3/8" Ø x 6"	A108	10	.	.	.	.
REBAR	#4 x 1'-10"	A706	2	.	.	.	.
.	.	.	.	.	.	.	.

TPL NO.: 1611001

PROJECT  
**WINSTON SCHOOL DISTRICT**  
**NEW ELEMENTARY SCHOOL / HIGH SCHOOL ADDITION**

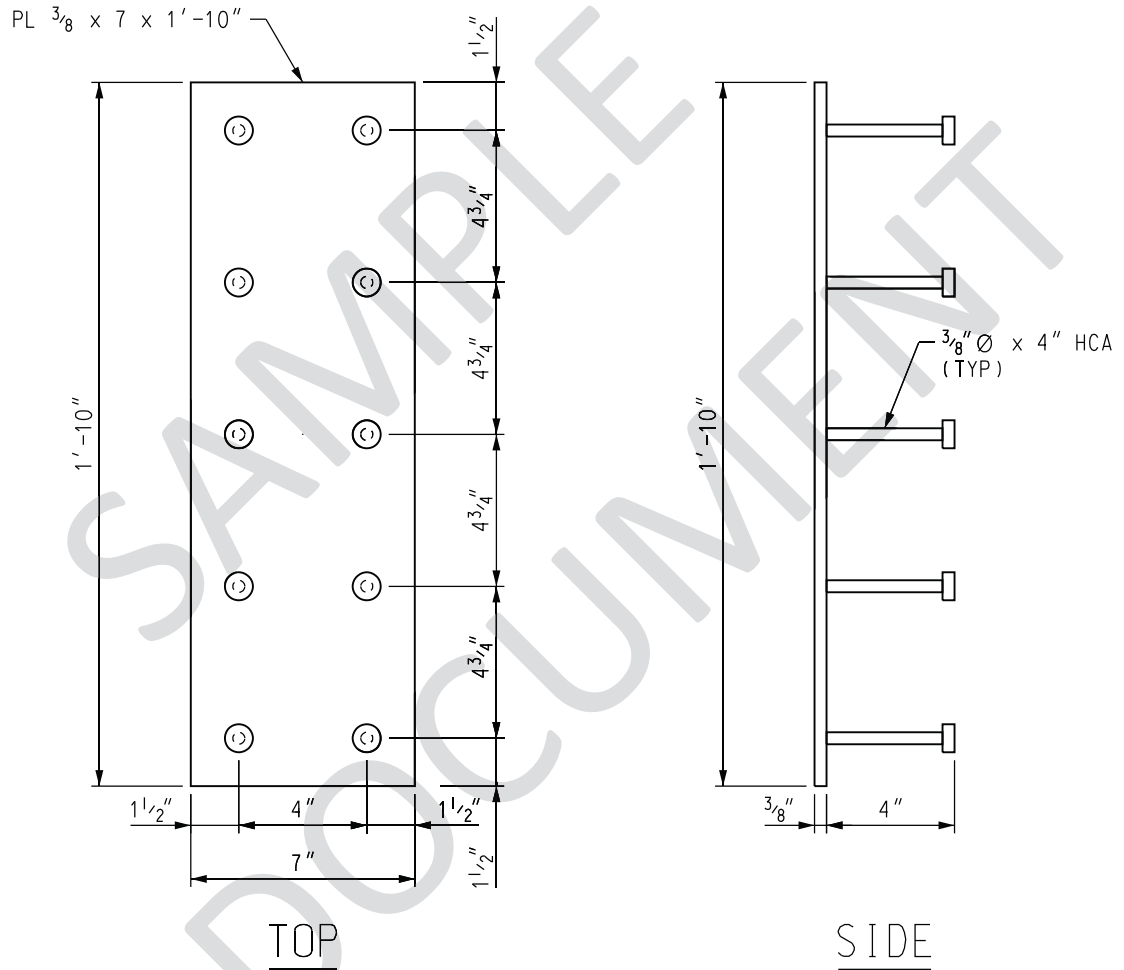
DATE: 2.08.17

REF. PROJECT NO.  
 1507.01-001A

ENG.	JR
DET.	JS
CKR.	AV

ITEM MARK

**PG-12**



## LIST OF MATERIALS

DESC.	SIZE	GRADE	REQ'D	DESC.	SIZE	GRADE	REQ'D
PLATE	3/8 x 7 x 1'-10"	A36	1	.	.	.	.
HCA	3/8" $\varnothing$ x 4"	A108	10	.	.	.	.
.	.	.	.	.	.	.	.
.	.	.	.	.	.	.	.

TPL NO.: 1611001

PROJECT  
**WINSTON SCHOOL DISTRICT**  
**NEW ELEMENTARY SCHOOL / HIGH SCHOOL ADDITION**

DATE: 2.08.17

ENG. JR

REF. PROJECT NO.

DET. JS

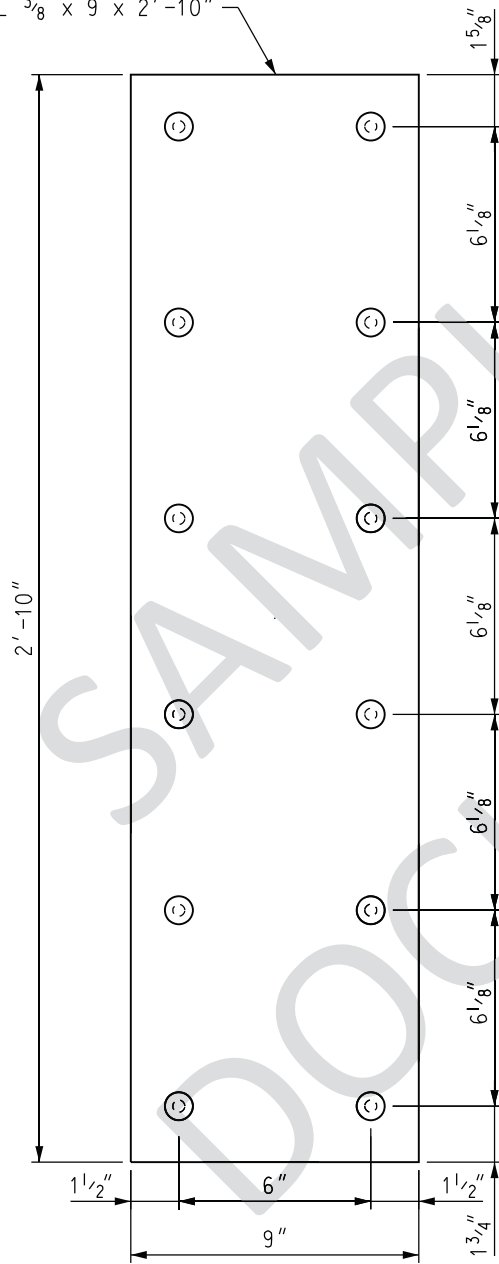
1507.01-001A

CKR. AV

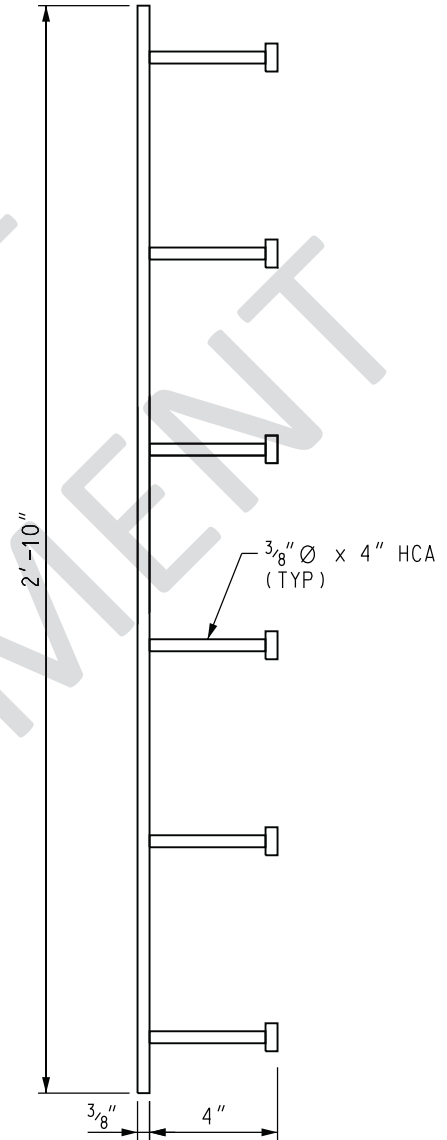
ITEM MARK

**PG-13**

PL  $\frac{3}{8}$  x 9 x 2'-10"



TOP



SIDE

## LIST OF MATERIALS

DESC.	SIZE	GRADE	REQ'D	DESC.	SIZE	GRADE	REQ'D
PLATE	3/8 x 9 x 2'-10"	A36	1	.	.	.	.
HCA	3/8" $\varnothing$ x 4"	A108	12	.	.	.	.
.	.	.	.	.	.	.	.
.	.	.	.	.	.	.	.

TPL NO.: 1611001

PROJECT  
WINSTON SCHOOL DISTRICT  
NEW ELEMENTARY SCHOOL / HIGH SCHOOL ADDITION

DATE: 2.08.17

ENG. JR

REF. PROJECT NO.

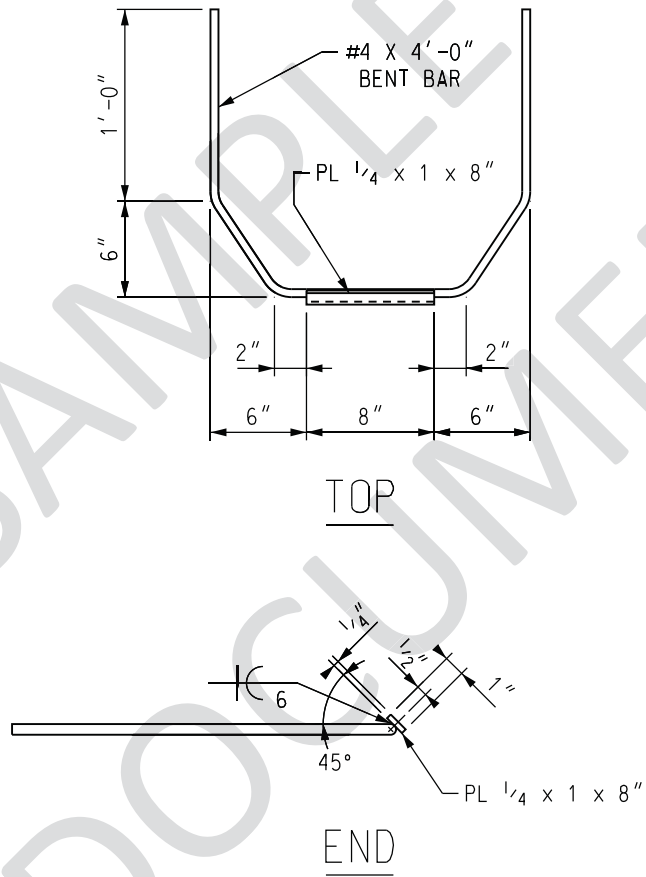
DET. JS

1507.01-001A

CKR. AV

ITEM MARK

**PG-14**



## LIST OF MATERIALS

DESC.	SIZE	GRADE	REQ'D	DESC.	SIZE	GRADE	REQ'D
PLATE	1/4 x 1 x 8"	A36	1	.	.	.	.
REBAR	#4 x 4'-0"	A706	1	.	.	.	.
.	.	.	.	.	.	.	.
.	.	.	.	.	.	.	.

TPL NO.: 1611001

PROJECT  
**WINSTON SCHOOL DISTRICT**  
**NEW ELEMENTARY SCHOOL / HIGH SCHOOL ADDITION**

DATE: 2.08.17

ENG. JR

REF. PROJECT NO.

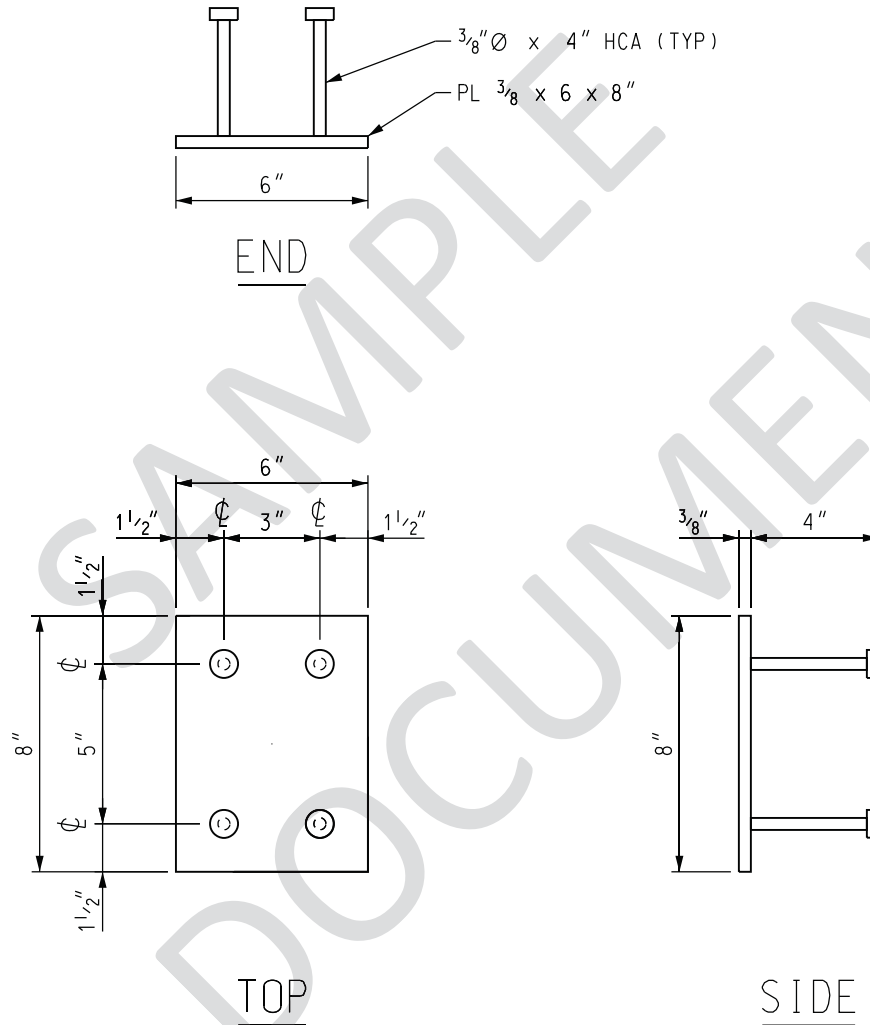
DET. JS

1507.01-001A

CKR. AV

ITEM MARK

**PG-15**



## LIST OF MATERIALS

DESC.	SIZE	GRADE	REQ'D	DESC.	SIZE	GRADE	REQ'D
PLATE	3/8 x 6 x 8"	A36	1	.	.	.	.
HCA	3/8"Ø x 4"	A108	4	.	.	.	.
.	.	.	.	.	.	.	.
.	.	.	.	.	.	.	.

TPL NO.: 1611001

PROJECT  
**WINSTON SCHOOL DISTRICT**  
**NEW ELEMENTARY SCHOOL / HIGH SCHOOL ADDITION**

DATE: 2.08.17

ENG. JR

REF. PROJECT NO.

DET. JS

1507.01-001A

CKR. AV

ITEM MARK

**PG-16**