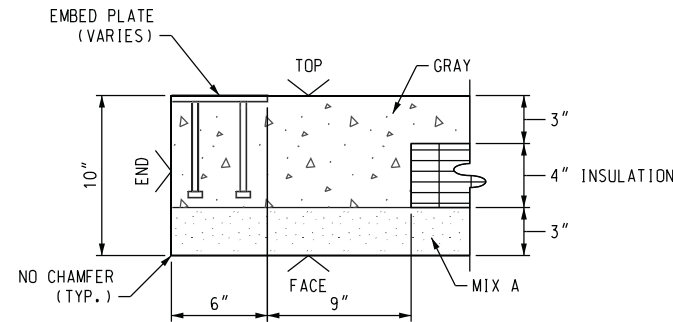
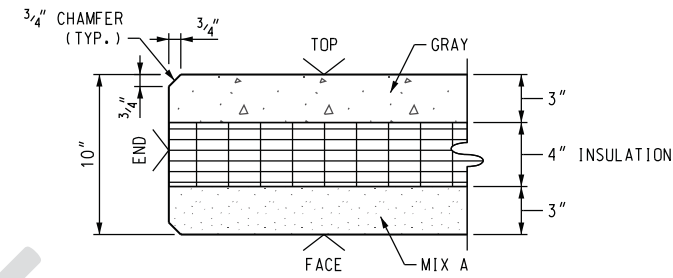


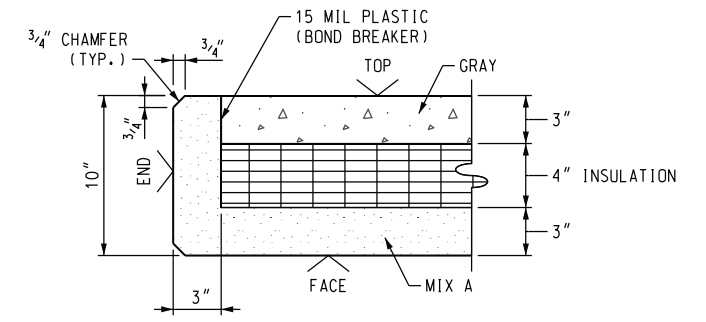
1 PANEL EDGE DETAIL
SCALE: 1" = 1'-0"



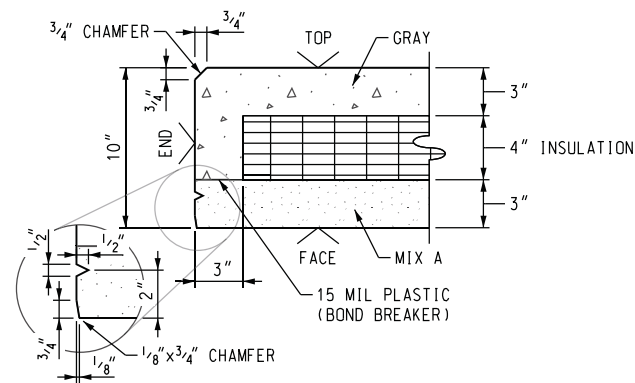
2 PANEL EDGE DETAIL
SCALE: 1" = 1'-0"



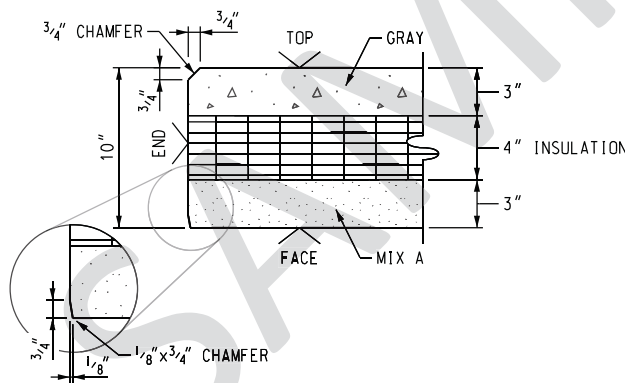
3 PANEL EDGE DETAIL
SCALE: 1" = 1'-0"



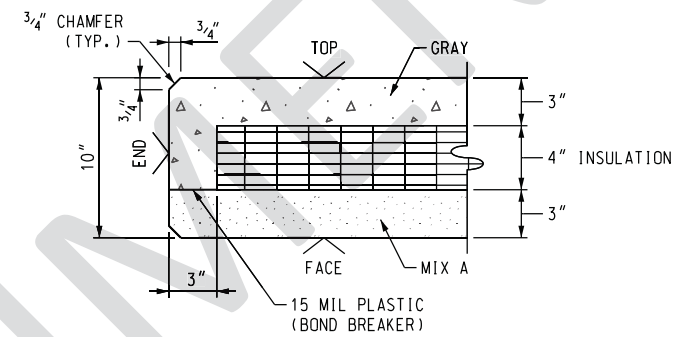
4 PANEL EDGE DETAIL
SCALE: 1" = 1'-0"



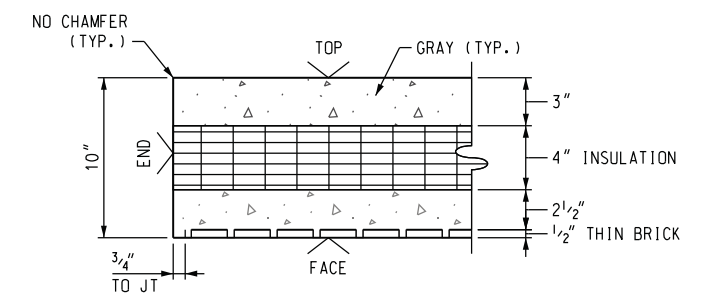
5 PANEL EDGE DETAIL
SCALE: 1" = 1'-0" WITH DRIP EDGE



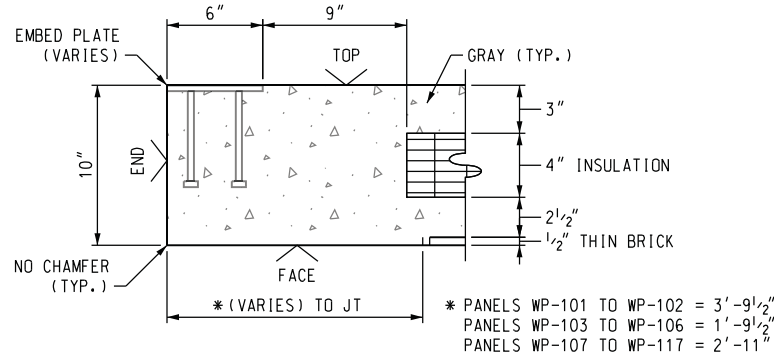
6 PANEL EDGE DETAIL
SCALE: 1" = 1'-0"



7 PANEL EDGE DETAIL
SCALE: 1" = 1'-0"

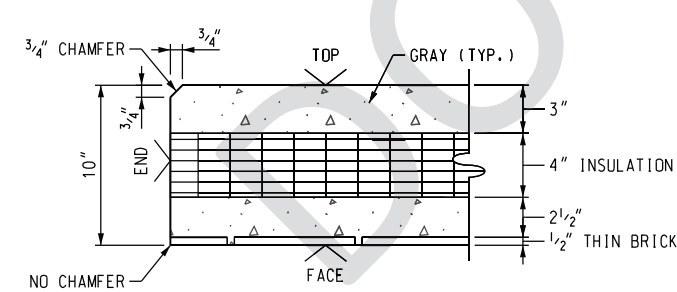


8 PANEL EDGE DETAIL
SCALE: 1" = 1'-0"

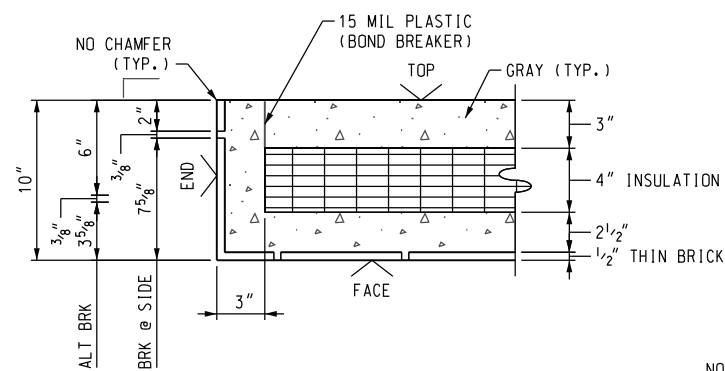


9 PANEL EDGE DETAIL
SCALE: 1" = 1'-0"

* PANELS WP-101 TO WP-102 = 3'-9 1/2"
* PANELS WP-103 TO WP-106 = 1'-9 1/2"
* PANELS WP-107 TO WP-117 = 2'-11"



10 PANEL EDGE DETAIL
SCALE: 1" = 1'-0"

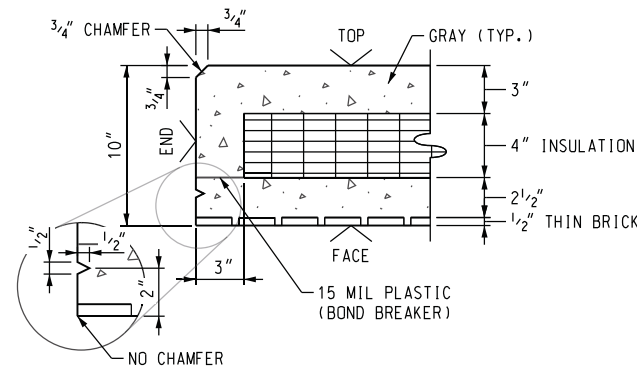


11 PANEL EDGE DETAIL
SCALE: 1" = 1'-0"

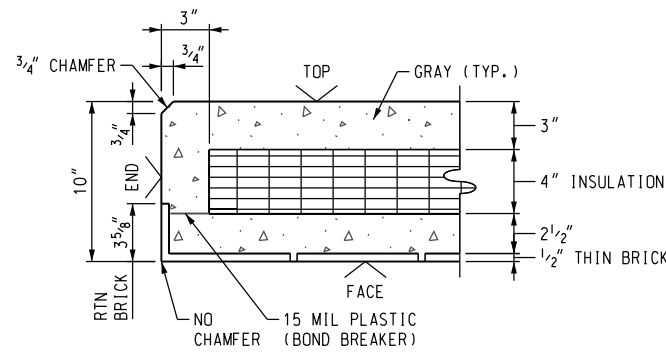
NOTES:

- 1) INSULATION SHALL BE TRIMMED TO 3/4" MIN. CLEARANCE AROUND ANY COMPONENT PENETRATION UNLESS SPECIFIED OTHERWISE.
- 2) ALL PRECAST COMPONENTS SHALL BE HOT DIPPED GALVANIZED.

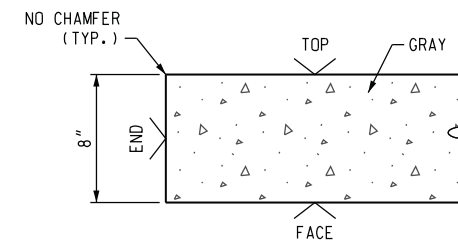
TEGcivil				
ISSUED:	NO.	DATE	DESCRIPTION	BY
		4.14.17	RELEASED FOR PRODUCTION	AC
PROJECT NAME				
WINSTON SCHOOL DISTRICT ADDITION				
DRAWN BY:	DATE:	CHECKED BY:	DATE:	
JS	04.14.17	AV	04.14.17	
			REF. PROJECT NO.	
			1507.01-001A	
			SHEET NO.	
			D-1	



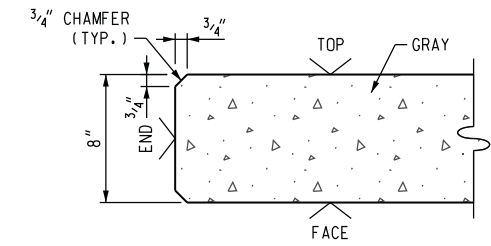
12 PANEL EDGE DETAIL
SCALE: 1" = 1'-0" WITH DRIP EDGE



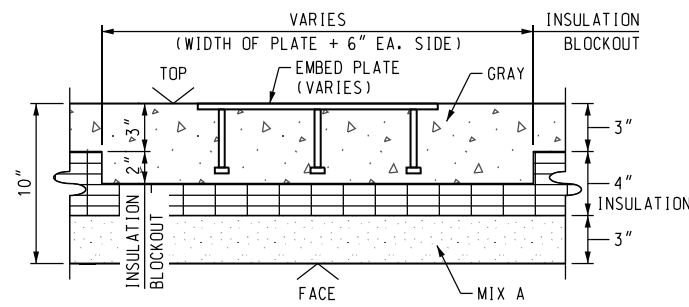
13 PANEL EDGE DETAIL
SCALE: 1" = 1'-0"



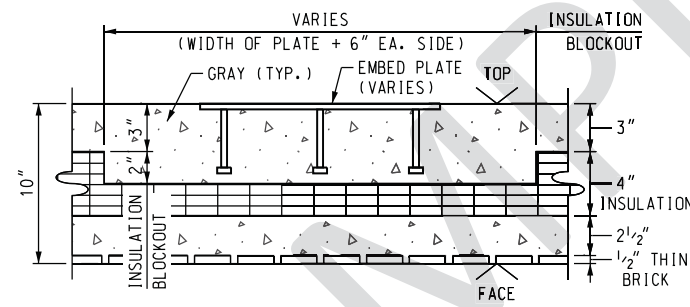
14 PANEL EDGE DETAIL
SCALE: 1" = 1'-0"



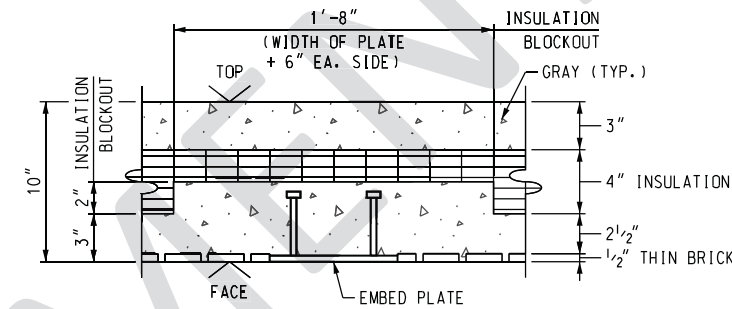
15 PANEL EDGE DETAIL
SCALE: 1" = 1'-0"



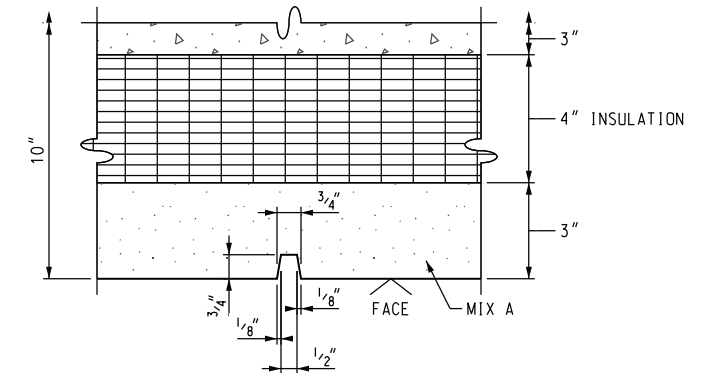
16 PANEL EMBED DETAIL
SCALE: 1" = 1'-0"



17 PANEL EMBED DETAIL
SCALE: 1" = 1'-0"



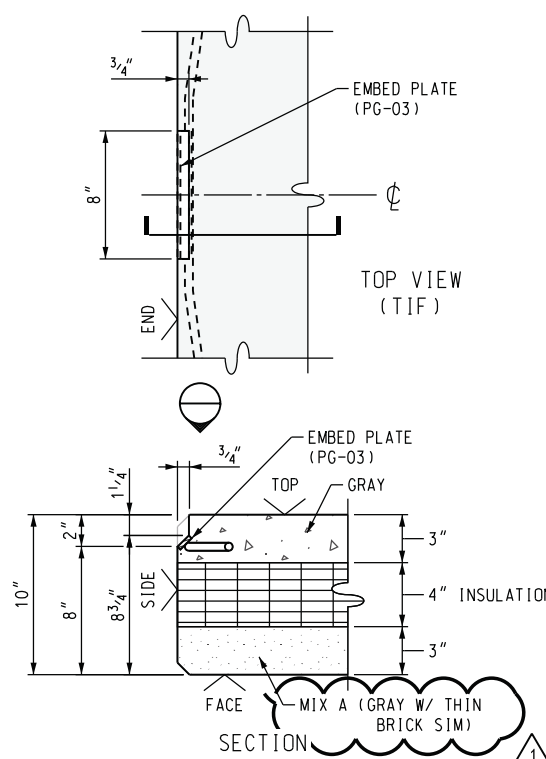
18 PANEL EMBED DETAIL
SCALE: 1" = 1'-0"



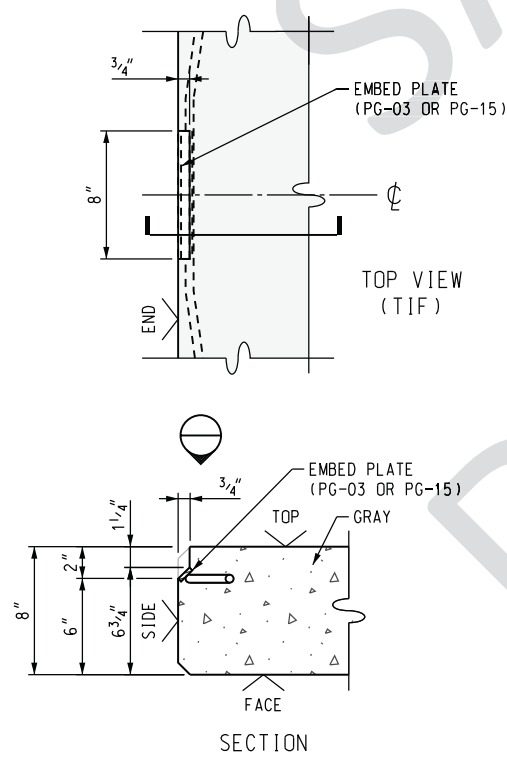
19 PANEL REVEAL DETAIL
SCALE: 2" = 1'-0"

NOTES:

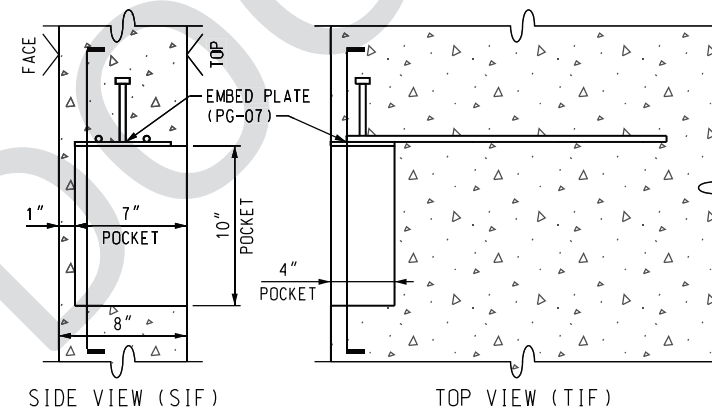
- INSULATION SHALL BE TRIMMED TO 3/4" MIN. CLEARANCE AROUND ANY COMPONENT PENETRATION UNLESS SPECIFIED OTHERWISE.
- ALL PRECAST COMPONENTS SHALL BE HOT DIPPED GALVANIZED.



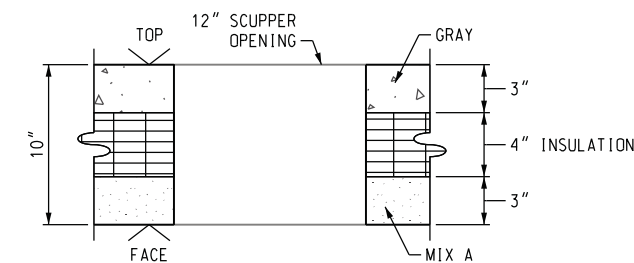
20 PANEL EMBED DETAIL
SCALE: 1" = 1'-0"



21 PANEL EMBED DETAIL
SCALE: 1" = 1'-0"



22 PANEL POCKET DETAIL
SCALE: 1" = 1'-0"



23 SCUPPER DETAIL
SCALE: 1" = 1'-0"

TEGcivil

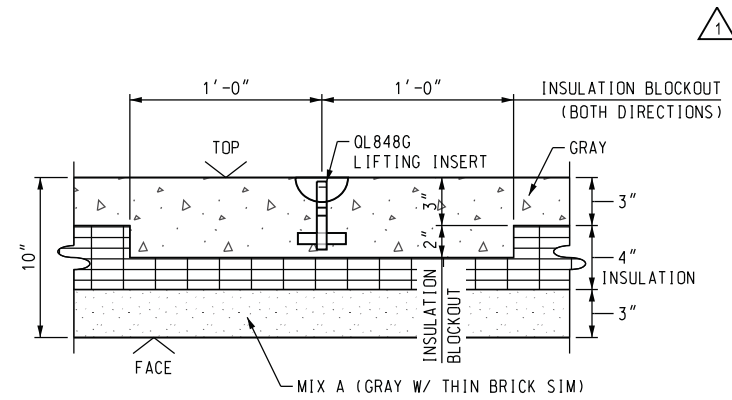
NO.	DATE	DESCRIPTION	BY
	4.14.17	RELEASED FOR PRODUCTION	AC
1	4.19.17	REVISED MIX AND BLOCKOUT CALLOUTS	JS

PROJECT NAME
WINSTON SCHOOL DISTRICT ADDITION

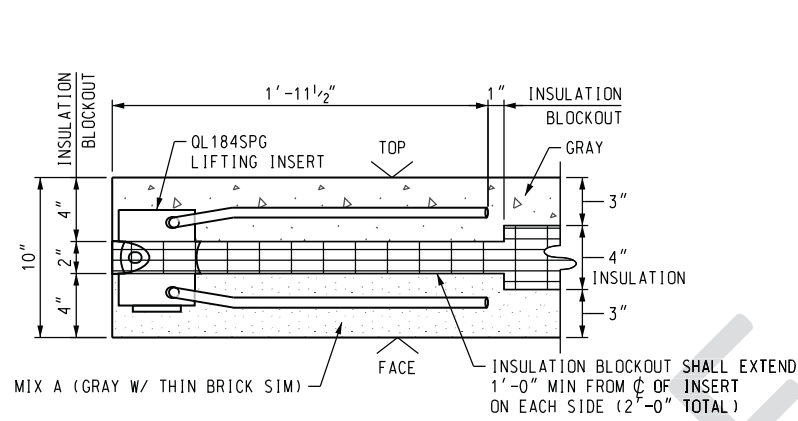
DRAWN BY: JS	DATE: 04.14.17	CHECKED BY: AV	DATE: 04.14.17
-----------------	-------------------	-------------------	-------------------

REF. PROJECT NO.
1507.01-001A

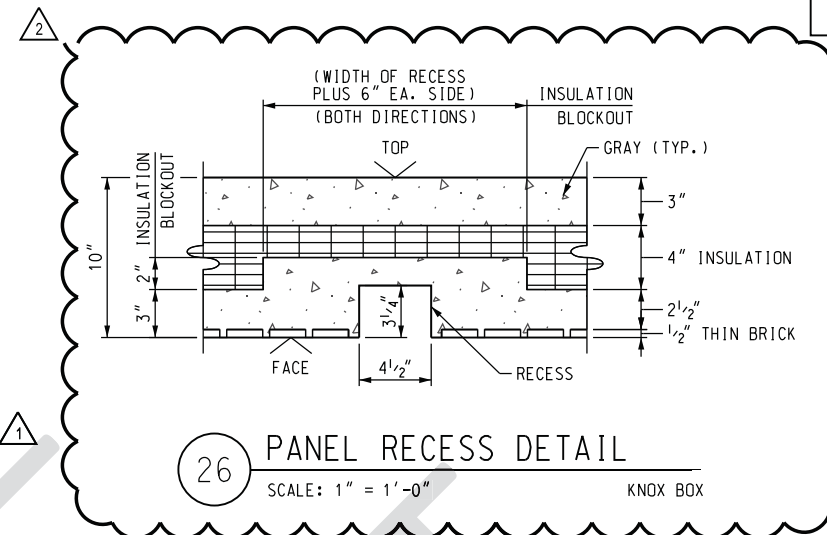
SHEET NO.
D-2



24 PANEL LIFTER DETAIL
SCALE: 1" = 1'-0"



25 PANEL LIFTER DETAIL
SCALE: 1" = 1'-0"



26 PANEL RECESS DETAIL
SCALE: 1" = 1'-0"
KNOX BOX

SAMPLE DOCUMENT

NOTES:

- 1) INSULATION SHALL BE TRIMMED TO 3/4" MIN. CLEARANCE AROUND ANY COMPONENT PENETRATION UNLESS SPECIFIED OTHERWISE.
- 2) ALL PRECAST COMPONENTS SHALL BE HOT DIPPED GALVANIZED.



ISSUED:	NO.	DATE	DESCRIPTION	BY
		4.14.17	RELEASED FOR PRODUCTION	AC
1		4.19.17	REVISED MIX AND BLOCKOUT CALLOUTS	JS
2		4.25.17	ADDED DETAIL 26	JS

PROJECT NAME
WINSTON SCHOOL DISTRICT ADDITION

DRAWN BY:	DATE:	CHECKED BY:	DATE:
JS	04.14.17	AV	04.14.17

REF. PROJECT NO.
1507.01-001A

SHEET NO.
D-3